

Wall mount enclosures

Security amidst operations

Depending on the size of your network closet and outlet locations, mounting equipment on the wall could be your best option. But how do you do that so your devices can't be accidentally unplugged and still have the airflow needed to prevent overheating?

That's where Eaton's® wall mount equipment comes in. With two options to choose from, you can pick the enclosure that works best in your unique environment.

Wall mount cabinet

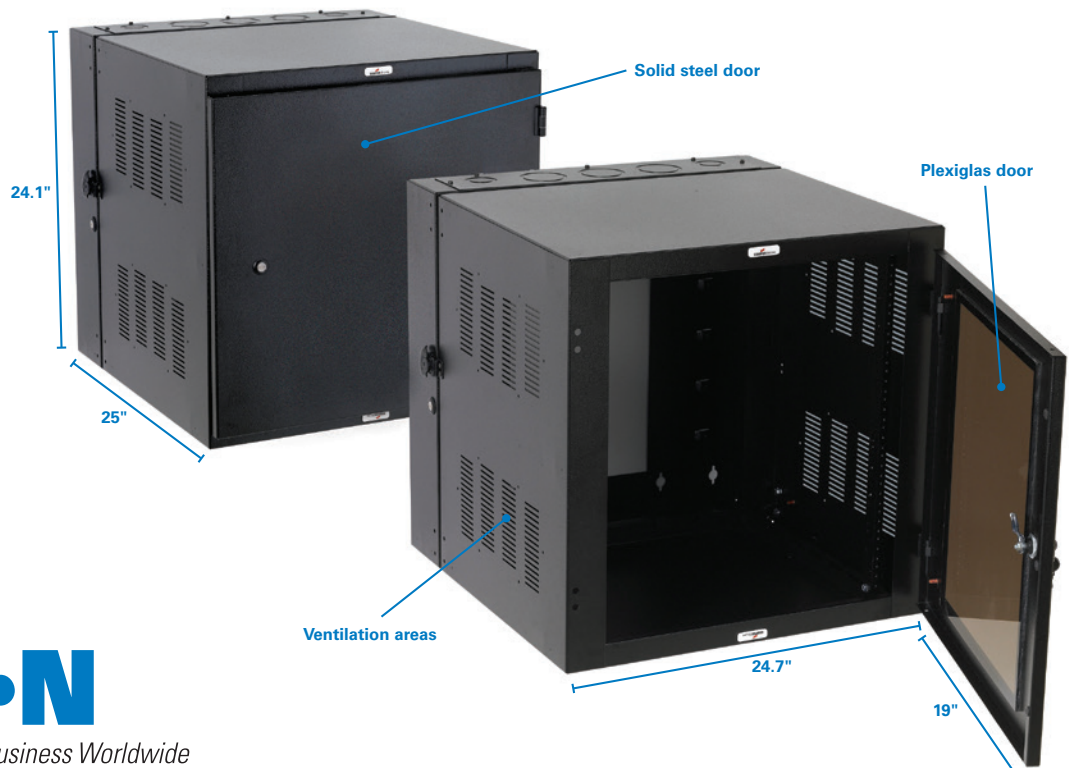
This cabinet offers a reversible hinge and lock system so you can securely enclose up to 200 pounds of communications cabling, networking gear and more on a wall, regardless of location. It also includes ventilation areas to keep installed equipment cool, adaptors for fan kits and other accessories and a choice of steel or smoked Plexiglas door.

Features

- Ships ready to mount as left-hinged or right-hinged and can be adjusted in the field as needed
- Allows for simple wall, conduit and/or bushing installation with removable rear sections
- Holds up to 200 pounds
- Accommodates other Eaton accessories and is part of a full network closet solution

Additional specs

- Includes locking solid steel or smoked Plexiglas insert door
- Has fully welded, 16-gauge cold rolled steel construction for enclosure
- Comes with adjustable mounting rail system with #12-24 tapped rails that can accommodate 12U of equipment
- Allows for 16-inch, on-center mounting and multiple wire management lances for cable tie points or accessory mounting
- Meets UL60950 Standard (UL E235184)
- Conforms to EIA/ECA-310-E



Swing gate wall mount equipment rack

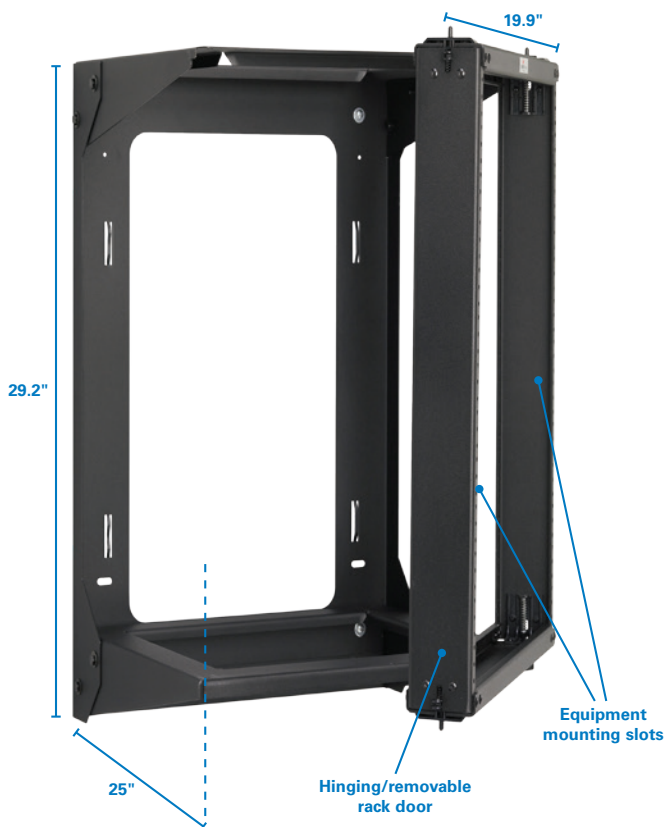
When you need the added security of one-way access to equipment in a limited amount of space, this rack is ideal. Only by opening its hinging door can you reach the back of mounted equipment.

Features

- Uses an open-frame design to secure up to 13U of networking equipment to a wall and allow unrestricted airflow
- Offers convenient, one-way access to the back of mounted equipment
- Comes with a rack door that can hinge to either side or be completely removed
- Holds up to 150 pounds when mounted to a suitable surface
- Accommodates other Eaton accessories and is part of a full network closet solution

Additional specs

- Ships unassembled in protective carton
- Can be quickly installed by one person using mounting holes on 16-inch centers
- Has a steel frame and aluminum door construction with steel hinge pins
- Includes integrated cable tie/cable wrap tie-down points
- Meets UL60950 Standard (UL E235184)
- Conforms to EIA/ECA-310-E



Wall mount equipment selection guide

Catalog number	Description	Height (in.)	Width (in.)	Depth (in.)	Max usable depth (in.)	Swing out body depth (in.)	Weight (lb.)
VLWM2425PB	Dual hinge wall mount cabinet – Plexiglas door	24.1	24.7	25	23.5	19	69
VLWM2425SB	Dual hinge wall mount cabinet – solid door	24.1	24.7	25	23.5	19	70
SB708193025FB	Swing gate wall mount equipment rack	29.2	19	25	25	19.9	39

To learn more about Eaton wall mount enclosures, please visit:
Eaton.com/enclosures

Eaton
 1000 Eaton Boulevard
 Cleveland, OH 44122 USA
 Eaton.com

© 2014 Eaton
 All Rights Reserved
 Printed in USA
 BR159010EN / GG
 August 2014

Eaton is a registered trademark of Eaton.

All other trademarks are property of their respective owners.